

Regenerative Gas Boost Systems

(Patent Pending)

Model RGB gas boost systems from [action blower & equipment](#) provide a complete turnkey solution for applications in which the available gas pressure is not adequate to meet the required demand.

The RGB systems utilize [green booster](#) technology with a gas tight regenerative blower magnetically coupled to a NEMA Premium Efficient inverter duty electric motor. The systems use a pressure indicator to sense the gas pressure being delivered. Based on the sensed pressure, a variable frequency drive adjusts the speed of the motor to deliver the required amount of gas.

Features

The standard system includes the following:

- Gas tight regenerative blower
 - Inverter duty TEFC premium efficient motor
 - Motor magnetically coupled to blower
 - Explosion proof pressure indicator
 - Explosion proof high temperature shut down switch
 - Manual blower bypass valves
 - 150 lb flange inlet and discharge connections
 - Control panel with PID controller, VFD, input circuit breaker, and hand-off-auto switch
 - Steel base with locking blower enclosure
-
- Standard systems are available in pipe sizes ranging from 1-1/2" to 2-1/2"
 - Motor sizes range from 1.5 HP to 15 HP
 - Standard systems for outdoor use include a NEMA 3R control panel
 - Standard systems for indoor use include a NEMA 1 control panel
 - Custom options available upon request
 - Approved by Massachusetts Board of Plumbers and Gas Fitters

Advantages

- Complete turnkey solution. Simply connect gas to inlet and discharge and connect electrical input power.
- Low maintenance - blower or motor lubrication not required.
- Magnetic coupling prevents the possibility of shaft seal wear leading to leakage.
- Low energy consumption - blower only runs as required to meet demand.



 action blower & equipment

PO Box 2396
Littleton, CO 80161-2396
o 303.975.1660
f 303.975.1663
www.actionblower.com
sales@actionblower.com

System Selection

Systems are sized based on:

- Available pressure
- Required pressure
- Required flow

Sizing Chart

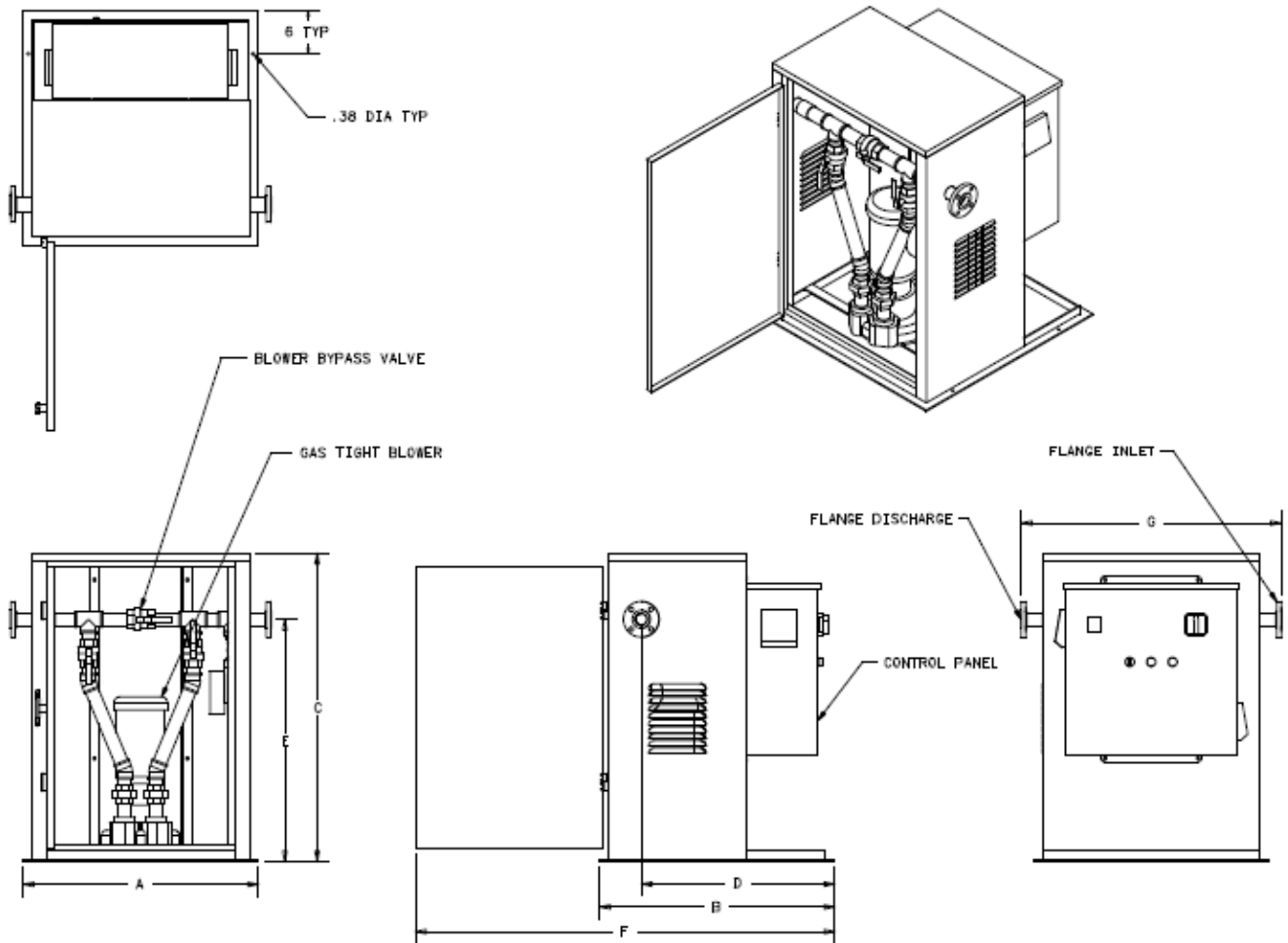
Pipe Size	Blower	Max flow / HP @ 6" H2O Boost	Max flow / HP @ 20" H2O Boost	Max flow / HP @ 2 PSI Boost	Max flow / HP @ 5 PSI Boost
1-1/2"	1400	100 CFM / 1.5 HP	85 CFM / 1.5 HP	55 CFM / 1.5 HP	—
2"	1500	145 CFM / 1.5 HP	135 CFM / 1.5 HP	100 CFM / 2 HP	—
	1600	215 CFM / 3 HP	200 CFM / 3 HP	160 CFM / 3 HP	—
	1630	280 CFM / 3 HP	255 CFM / 3 HP	205 CFM / 5 HP	—
	1640	345 CFM / 7.5 HP	325 CFM / 7.5 HP	250 CFM / 10 HP	—
2-1/2"	1800	360 CFM / 7.5 HP	330 CFM / 7.5 HP	300 CFM / 7.5 HP	200 CFM / 15 HP
	1830	480 CFM / 7.5 HP	450 CFM / 7.5 HP	390 CFM / 10 HP	—

- "Boost" = Required pressure - available pressure
- Values listed above are for reference only. [action blower & equipment](#) should be consulted to verify proper sizing.
- Larger and smaller custom units and high pressure units are available upon request
- Duplex units are also available upon request
- UL listed control panel available as an option
- Optional controls, configurations, shutdown switches, UPS, etc. available upon request
- Maximum discharge pressure for standard units is 15 PSIG. Consult [action blower & equipment](#) for higher pressure applications.



PO Box 2396
Littleton, CO 80161-2396
o 303.975.1660
f 303.975.1663
www.actionblower.com
sales@actionblower.com

Dimensions



Pipe Size	Dim "A"	Dim "B"	Dim "C"	Dim "D"	Dim "E"	Dim "F"	Dim "G"
1-1/2"	36	33	43	27	34	61	39
2"	36	33	43	28	37	61	39
2-1/2"	40	36	45	30	40	68	42

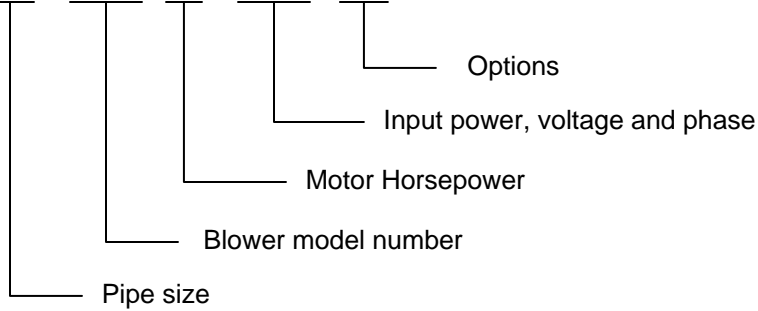
- Values shown are approximate and should not be used for construction
- All dimensions are listed in inches

ab action blower & equipment

PO Box 2396
 Littleton, CO 80161-2396
 o 303.975.1660
 f 303.975.1663
 www.actionblower.com
 sales@actionblower.com

Part Number Configuration

Example: RGB150—1400—1.5—2081—AA



Pipe Sizes	Blower Models	Motor HP	Input Power	Options
1-1/2"	1400	1.5	208V 1Ø	AA - NEMA 3R enclosure (for use in outdoor area)
2"	1500	2	240V 1Ø	AB - NEMA 1 enclosure (for use in indoor area)
2-1/2"	1600	3	208V 3Ø	Consult action blower & equipment for additional options
	1630	5	240V 3Ø	
	1640	7.5	480V 3Ø	
	1800	10		
	1830	15		

- Refer to sizing chart for standard combinations of pipe size, blower model, and motor horsepower
- For complete ordering information, please consult [action blower & equipment](#)



PO Box 2396
 Littleton, CO 80161-2396
 o 303.975.1660
 f 303.975.1663
 www.actionblower.com
 sales@actionblower.com